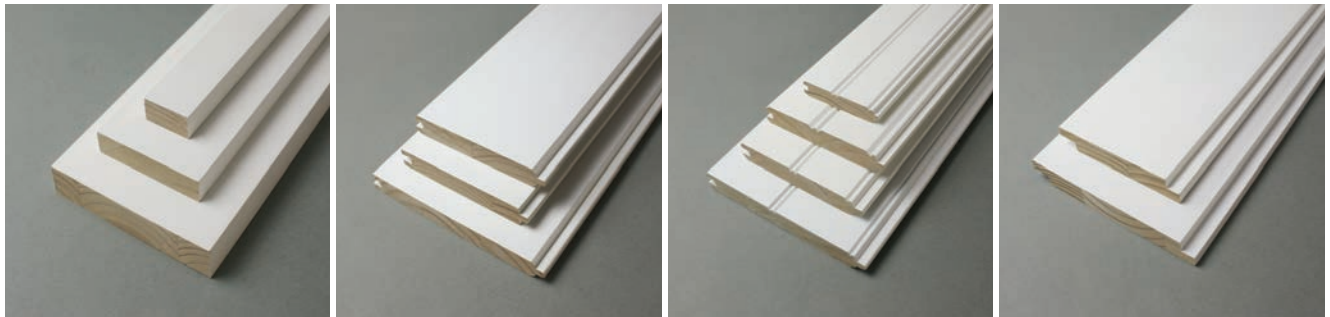


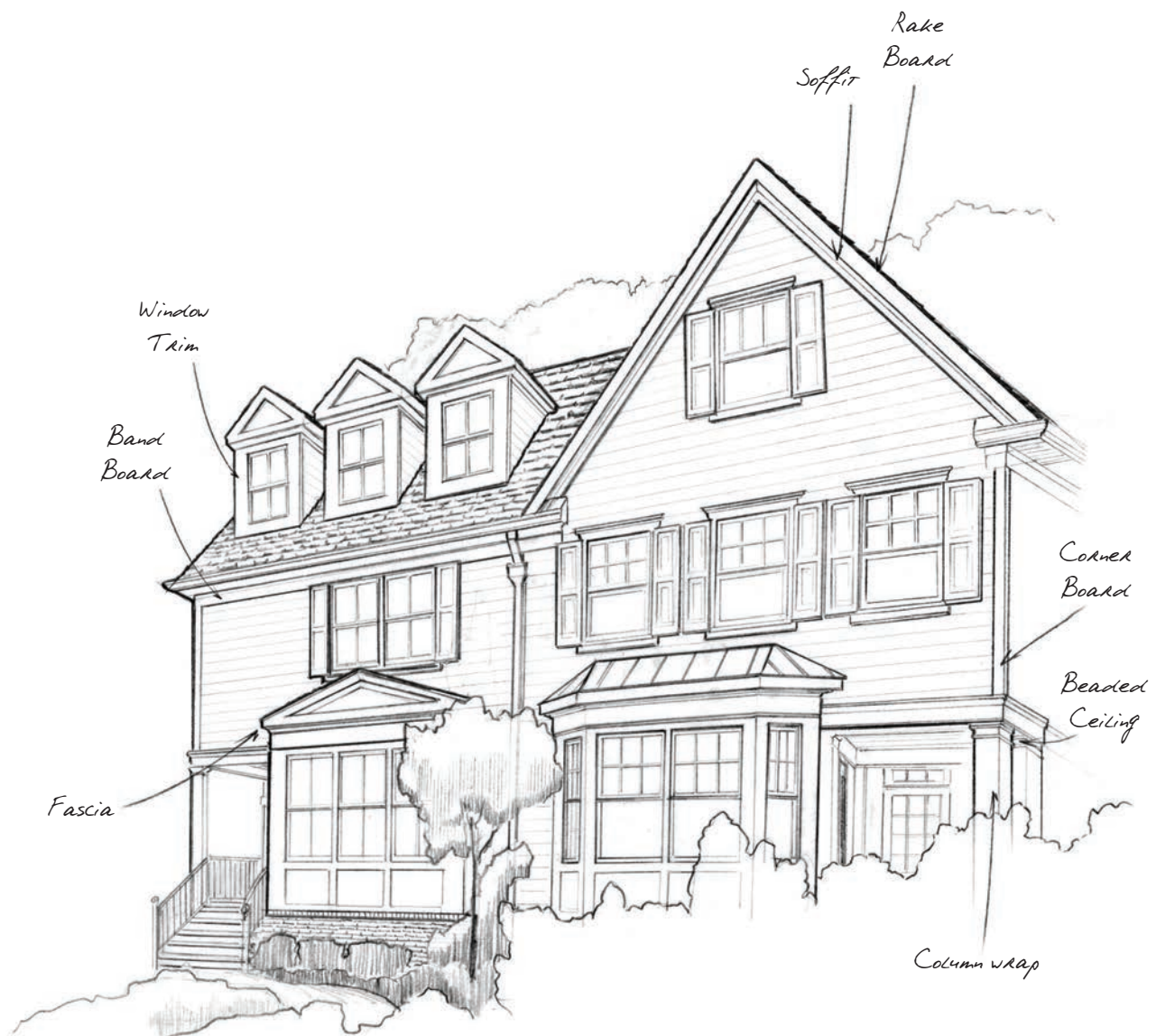


# EXTERIOR TRIM

2 TYPES: TRADITIONAL OR 30 YEAR WARRANTY\* PROTECTED

IDEA BOOKS by  WINDSORONE





## ✓ RECOMMENDED FOR:

- ✓ DOOR TRIM
- ✓ WINDOW TRIM
- ✓ FASCIA
- ✓ CORNER BOARD
- ✓ SOFFIT
- ✓ BAND BOARD
- ✓ RAKE
- ✓ COLUMN WRAPS

## ✗ DO NOT USE FOR:

- ✗ SIDING
- ✗ DECKING
- ✗ PLANTERS
- ✗ HAND RAILS
- ✗ PERGOLAS
- ✗ FENCES
- ✗ TRELLISES
- ✗ STAIRS (exterior)

SEE FULL INSTALLATION INSTRUCTIONS at [WindsorONE.com/install](https://www.WindsorONE.com/install) or call 888.229.7900. Warranty based on proper installation.



CREDITS 1. First Lamp Architecture & RW Anderson Homes in WA 2-5, 7, 9. WindsorONE Archive 6. Art Guerrero in CA 8. Dave Bell in CA

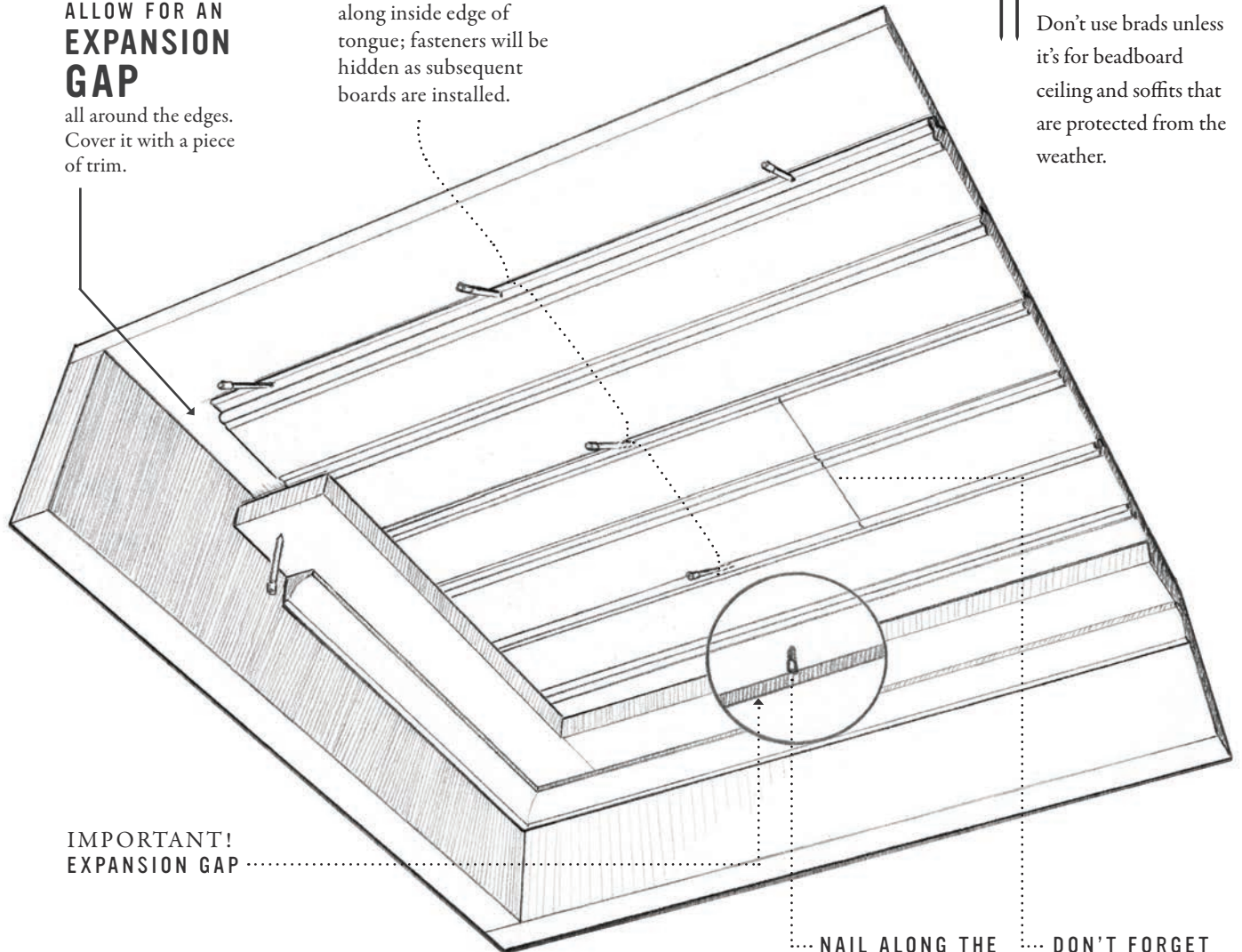
**IMPORTANT!  
ALLOW FOR AN  
EXPANSION  
GAP**

all around the edges.  
Cover it with a piece  
of trim.

**NAIL AT ANGLES**  
along inside edge of  
tongue; fasteners will be  
hidden as subsequent  
boards are installed.

**USE 6 PENNY NAILS**

Don't use brads unless  
it's for beadboard  
ceiling and soffits that  
are protected from the  
weather.



**IMPORTANT!  
EXPANSION GAP**

**NAIL ALONG THE  
FINISHED EDGE**  
(the "starter board")  
of beadboard in  
ceiling and soffits.

**DON'T FORGET  
TO STAGGER  
JOINTS!**  
of beadboard in  
ceiling and soffits.

## BEADBOARD CEILINGS & SOFFITS

### Always isolate beadboard

from framing members and soffit/attic spaces. Moisture, humidity and any water intrusion will alter the moisture content of beadboard and could radically affect the installation.

### Provide adequate ventilation

for all beadboard installations, and use best building practices to provide for normal swelling and shrinkage. Further protect against adverse swelling and shrinkage by breaking up long spans with beams or other decorative trim.

### Other tips:

**CHECK MOISTURE CONTENT** For the exterior, never install beadboard with a moisture content higher than 18%. (For interiors, acclimate the beadboard until it reaches the in service moisture content of about 10%).

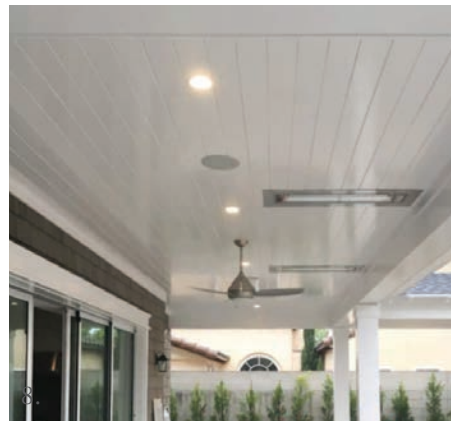
**CHAMFER THE ENDS** using a 45 chamfer bit on a router to accent the joints and allow the boards to move without affecting the overall appearance.

**HOUSEWRAP** Prior to installing beadboards, soffits must be sheathed and wrapped with house wrap.

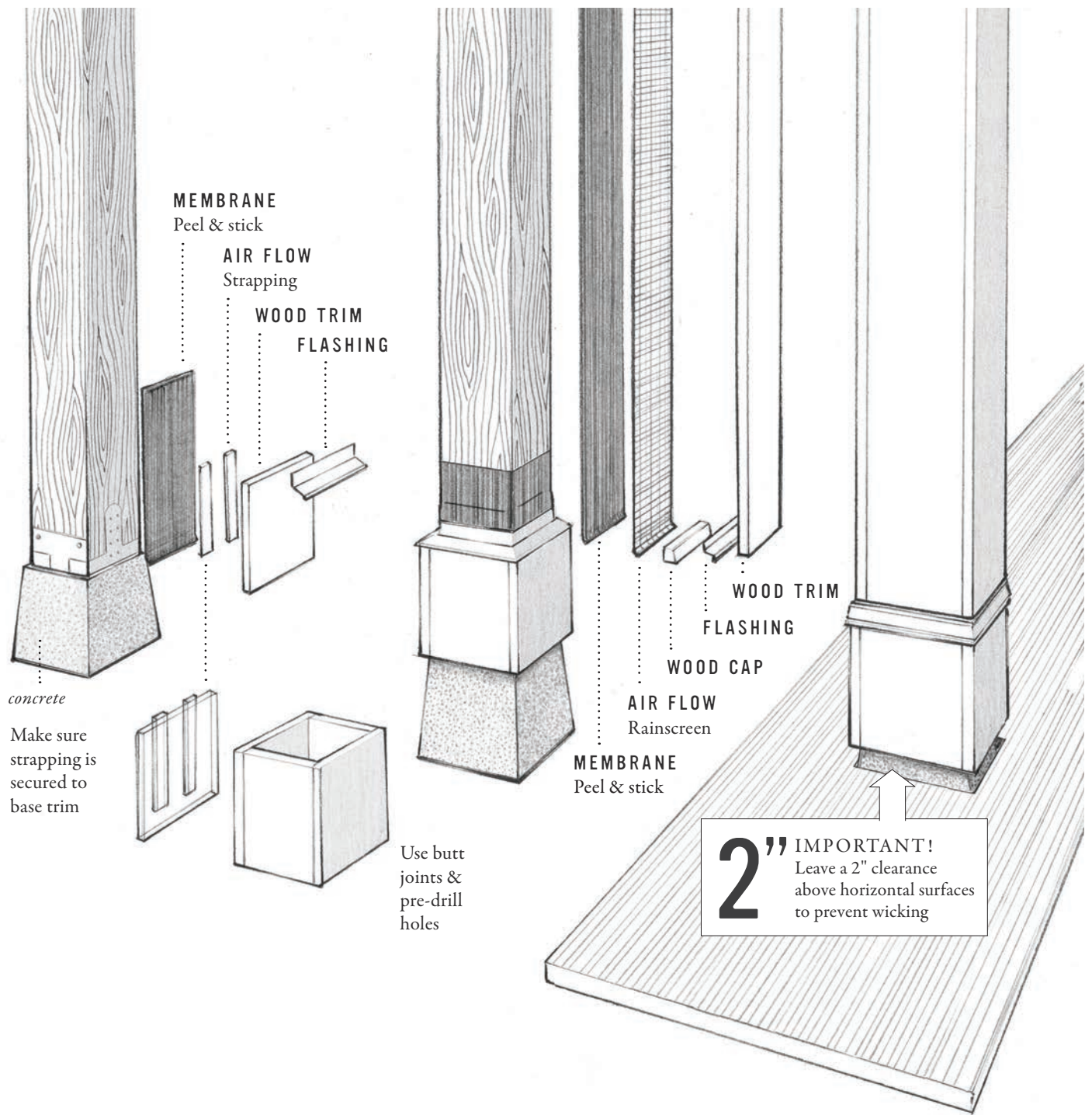
**VENTILATION** When wrapping soffits and exterior ceilings, take care not to block attic ventilation mechanisms.

**NO CAULK OR GLUE** Never caulk or glue beadboard tongue-and-groove joints.

**SEE FULL INSTALLATION INSTRUCTIONS, Warranty based on proper installation. CREDITS** 1. Dave Bell in CA 2. Robert Gamen in CA 3. Holland Construction in CA 4. Joe Denman Carpentry for Baker Barn Restoration in PA 5. Perry & Papenhausen Inc. in CA 6. Gallagher Construction



7. Woodsmith Construction LLC in NJ 8. Lyons Construction in CA 9. Seven Development & Woods Architecture LLC in AZ



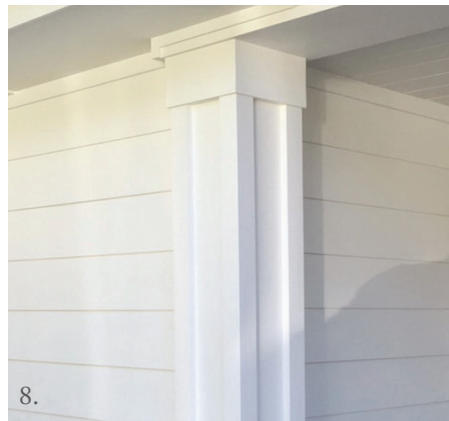
# COLUMN WRAPS

## Incorporate an air cavity.

Columns wrapped in WindsorONE Trim Boards must be constructed to incorporate an air cavity between the WindsorONE Trim Boards and the underlying structure. Furring strips or 3 dimensional drainage mats ensure that the backside of the trimboards are drained and ventilated. The diagram illustrates proper column wrap construction.

**CREDITS** 1, 6, 9. *W1 Archive* 2. *Art Guerrero in CA* 3, 8. *Vanberg Construction in CA* 4. *Perry & Papenhausen Inc. in CA* 5. *Pagenkopp Construction in CA* 7. *Concept Construction in WA*

SEE FULL INSTALLATION INSTRUCTIONS at [WindsorONE.com/install](http://WindsorONE.com/install) or call 888.229.7900. Warranty based on proper installation.





## INSTALLATION SIMPLIFIED\*

*These are just some tips, see the full installation instructions*



1.



### **2"** INSTALL 2" ABOVE PORCHES, ROOFS, ETC:

2" breaks are crucial on the porches, roofs and all flat surfaces (patios, decks, etc).



### STORAGE - KEEP IT COVERED & ELEVATED:

Store on stringers and out of the weather. See installation instructions if storing the material outdoors.

### **6"** INSTALL 6" ABOVE GRADE:

Trim should be installed at least 6" from ground.



### MOISTURE CONTENT (<18%):

Do not install trim boards that have a moisture content over 18%. (For interior use, boards must be acclimated).

### **1/4"** INSTALL 1/4" ABOVE FLASHING:

Flashing is imperative, but maintain a 1/4" gap for a capillary break.



### PRIME ALL CUTS!:

Prevents moisture absorption & helps ensure a long lasting project. This includes cuts that can't be seen or may not be directly exposed to weather.

\*SEE FULL INSTALLATION INSTRUCTIONS at [WindsorONE.com/install](http://WindsorONE.com/install) or call 888.229.7900. Warranty based on proper installation.

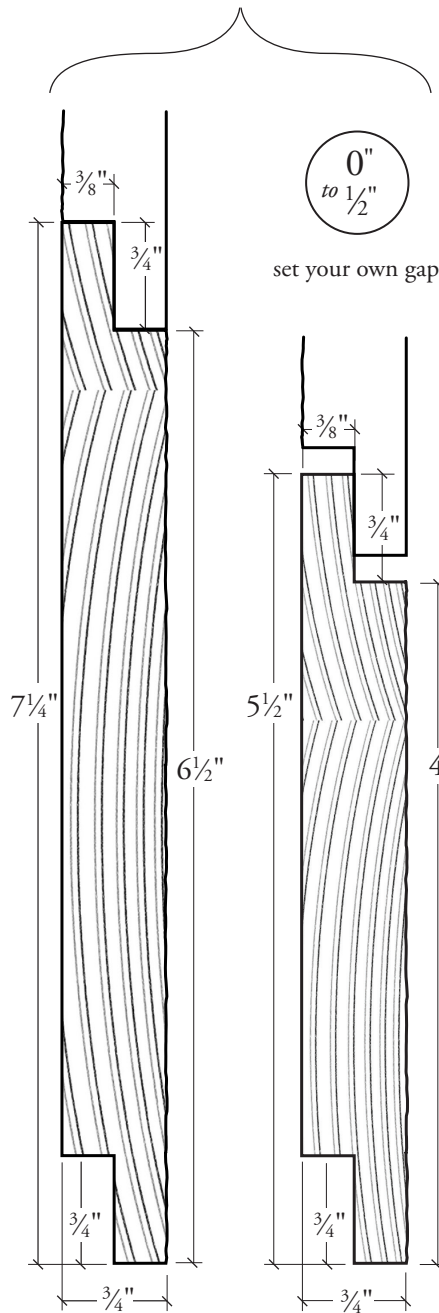




CREDITS 1. Dave Bell in CA 2-4, 6. WindsorONE Archive 5. Schielein Builders in CA 7. Art Guerrero in CA

SCALE

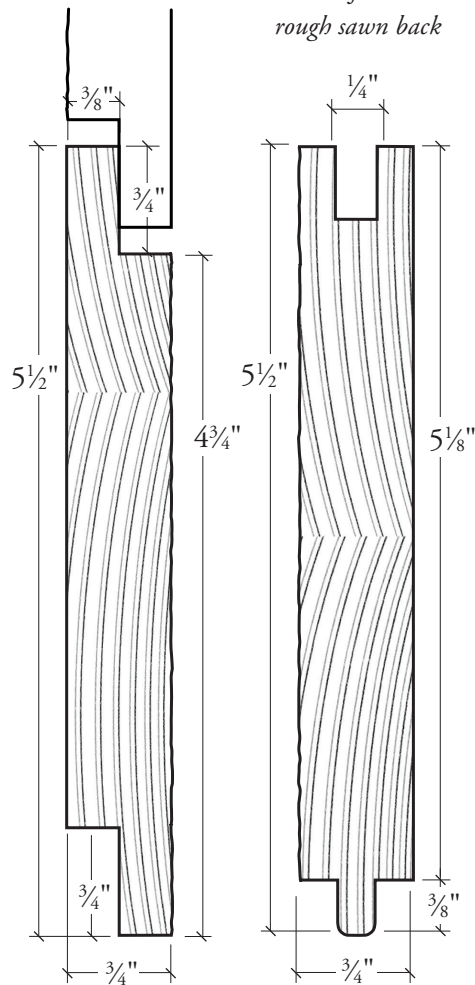
REVERSIBLE SHIPLAP,  
*smooth on front with a  
rough sawn back*



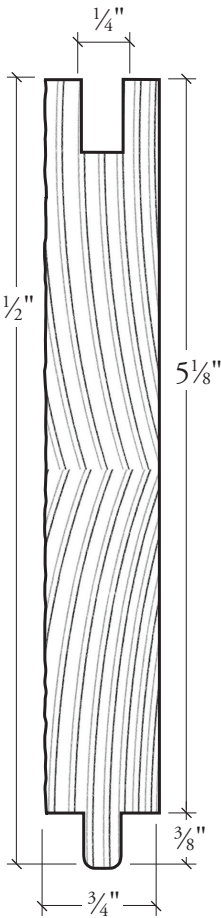
**WORS 8**  
reversible  
shiplap 16'  
30

0"  
to 1/2"  
set your own gap

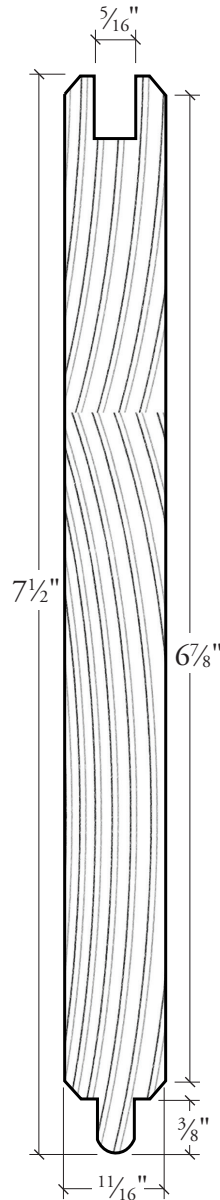
REVERSIBLE  
PLANTATION  
*smooth on front with a  
rough sawn back*



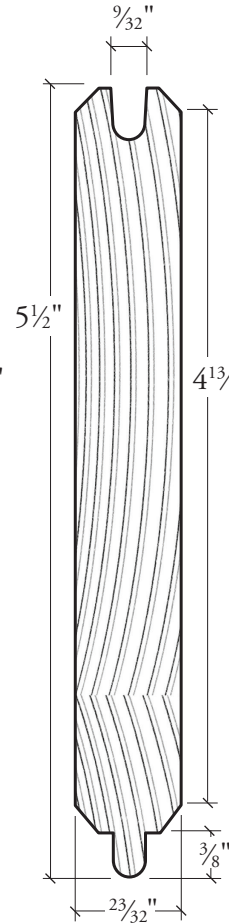
**WORS 6**  
reversible  
shiplap 16'  
30



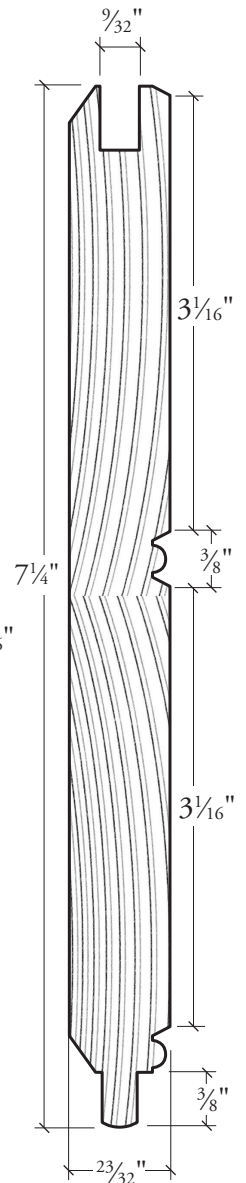
**PLANTATION**  
T&G  
board 20'  
30



**230**  
T&G  
board 16'  
30



**WOTG**  
T&G  
board 16'  
30 or TR



**SPBC 8**  
standard T&G  
beadboard 16'  
30

NOTE: Shiplap and T&G are NOT to be used as exterior siding

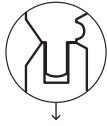
SPECIALTY BOARDS & TRIM BOARDS (AVAILABLE WITH WindsorONE PROTECTED 30yr WARRANTY)



2 TYPES OF BOARDS:  
TRADITIONAL or PROTECTED

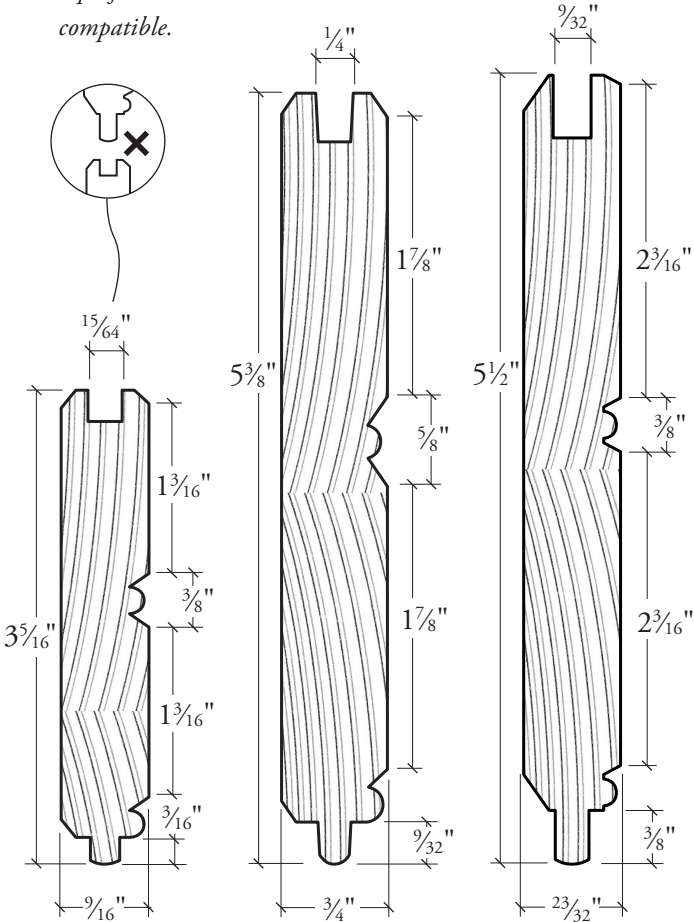
only  
PROTECTED  
HAS THE  
30 YEAR  
WARRANTY\*

**30** LIMITED WARRANTY\*  
YEAR INTERIOR/EXTERIOR USE



Precision manufacturing  
ensures a perfect fit.

NOTE: Not  
all profiles are  
compatible.



**SPBC4**  
standard T&G  
beadboard 16'  
30 or TR

**WOBC6**  
wide T&G  
beadboard 16'  
30 or TR

**SPBC6**  
standard T&G  
beadboard 16'  
30 or TR

	nominal sizes	net sizes	S4SSE TRIM BOARDS 16' lengths
1 x 2	3/4" x 1 1/2"		
1 x 3	3/4" x 2 1/2"		
1 x 4	3/4" x 3 1/2"		
1 x 5	3/4" x 4 1/2"		
1 x 6	3/4" x 5 1/2"		
1 x 8	3/4" x 7 1/4"		
1 x 10	3/4" x 9 1/4"		
1 x 12	3/4" x 11 1/4"		
5/4 x 3	1 1/16" x 2 1/2"		
5/4 x 4	1 1/16" x 3 1/2"		
5/4 x 5	1 1/16" x 4 1/2"		
5/4 x 6	1 1/16" x 5 1/2"		
5/4 x 8	1 1/16" x 7 1/4"		
5/4 x 10	1 1/16" x 9 1/4"		
5/4 x 12	1 1/16" x 11 1/4"		

1x, 5/4x & 2x

**S1S2E TRIM BOARDS**  
16' & 20' lengths

S1S2E is available in  
limited geography.\*\*

1x2 up to 2x12 sizes

**S4SSE**  
1x & 5/4x  
trim board 16'  
30 or TR

**S1S2E\*\***  
1x, 5/4x & 2x  
trim board 16' 20'  
30

\*\*Mainly Western U.S., call for details call 888.229.7900

\*Warranty based on proper installation, see WindsorONE.com/install for details

# 2 TYPES OF BOARDS

**TR** TRADITIONAL OR **30** PROTECTED



## TRADITIONAL S4SSE TRIM

*smooth surface four sides*

nominal sizes | 12' 16' 20'

	1x2	e .
	1x3	e .
	1x4	e . w
	1x5	e . w
	1x6	e . w
	1x8	e . w
	1x10	e . w
	1x12	e . w
	5/4x3	.
	5/4x4	e .
	5/4x5	e .
	5/4x6	e .
	5/4x8	e .
	5/4x10	e .
	5/4x12	e .

## TRADITIONAL TONGUE & GROOVE

	SPBC4	9/16" x 3 5/16"
	SPBC6	2 3/32" x 5 1/2"
	WOBC6	3/4" x 5 3/8"
	WOTG	2 3/32" x 5 1/2"

## PROTECTED TONGUE & GROOVE

	SPBC4	9/16" x 3 5/16"
	SPBC6	2 3/32" x 5 1/2"
	SPBC8	2 3/32" x 7 1/4"
	WOBC6	3/4" x 5 3/8"
	WOTG	2 3/32" x 5 1/2"
	230	1 1/16" x 7 1/2"
	plantation	3/4" x 5 1/2"

## TRADITIONAL NICKEL GAP\*\*

	WOSN6	3/4" x 5 1/2"
	WOSN8	3/4" x 7 1/4"

## PROTECTED SHIPLAP\*\*

	WORS6	3/4" x 5 1/2"
	WORS8	3/4" x 7 1/4"

## PROTECTED S4SSE TRIM

*smooth surface four sides*

nominal sizes | 12' 16' 20'

	1x2	e .
	1x3	e .
	1x4	e . w
	1x5	e . w
	1x6	e . w
	1x8	e . w
	1x10	e . w
	1x12	e . w
	5/4x3	.
	5/4x4	e .
	5/4x5	e .
	5/4x6	e .
	5/4x8	e .
	5/4x10	e .
	5/4x12	e .

## PROTECTED S1S2E TRIM

*reversible rough sawn on one side,  
smooth on others with eased edges*

nominal sizes | 16' 20'

	1x2	w w
	1x3	w w
	1x4	w w
	1x6	w w
	1x8	w w
	1x10	w w
	1x12	w w
	5/4x3	w w
	5/4x4	w w
	5/4x6	w w
	5/4x8	w w
	5/4x10	w w
	5/4x12	w w
	2x2	w w
	2x4	w w
	2x6	w w
	2x8	w w
	2x10	w w
	2x12	w w

*Some products have limited geography:*

*KEY: e = east coast, w = west coast, . = both*

*\*\*Nickel Gap is pre-gapped, Shiplap is choose your own gap, more at WindsorONE.com.*



### 1 PROTECTED TO THE CORE; FULL PENETRATION

Because unlike the other guys, we're assuming you'll actually want to cut the material at some point.



### 2 PROTECTED AGAINST ROT, INSECTS & MOLD

Does *not* protect against your mother-in-law, hangovers, airport security, etc.



### 3 DURABLE FOR EXTERIOR & SAFE FOR INTERIOR

Gold Indoor Air Quality Rating, low VOC's and California Hippie Approved.



### 4 WEATHER RESISTANT SYSTEM (WRS™)

Water is for drinking, not trim boards.



### 5 MINIMIZES THE NATURAL TENDENCY TO DISTORT

Unlike the explanation your 16 yr old told you about how the family car ended up in the pond out on Rte 1.



### 6 NO KNOTS; YOUR BOARDS ARE ALWAYS CLEAR

Imagine that, you can actually use every foot you pay for.



### 7 PROTECTION NOT DIMINISHED

By shaping, planing, sanding, fastening or molding (actual use does not void the warranty).



### 8 THE CUT SURFACES ONLY NEED PRIMING

No need to also apply special protection (we took care of that for you).



### 9 BACKED BY A 30-YEAR LIMITED\* WARRANTY

The "limitation" is you have to install it correctly (for one example see #8 again).



### 10 BUILD AMERICA: MANUFACTURED IN THE U.S.A.

Because everything else you bought was made in China.

## INSTALLATION REMINDERS\*



### PRIME ALL CUTS!

**MOISTURE CONTROL<sup>1</sup>:** Acclimate to the environment. For interior trim, store inside the structure until the products reach approx 8% moisture content. For exterior trim, store in locations such as a garage that is not heated & is well ventilated until about 14% moisture content. Do not install exterior trim boards with a moisture content over 18%. <sup>1</sup>see [windsorone.com/moisturecontrol](http://windsorone.com/moisturecontrol)



**KEEP MATERIAL COVERED:** Store on stringers and out of the weather.



**INSTALL 6" ABOVE GRADE:** Trim should be installed always at least 6" from ground.



**INSTALL 2" ABOVE ROOF:** 2" breaks are crucial on the roof and flat surfaces (porches, decks, etc).

**1/4" FROM FLASHING:** Flashing is imperative; and always maintain a 1/4" gap for a capillary break.

**\* SEE FULL INSTALLATION INSTRUCTIONS.** WindsorONE should be stored, installed, handled & maintained correctly for the best performance.

For complete installation guidelines & the WindsorONE Protected warranty, visit [WindsorONE.com/install](http://WindsorONE.com/install) or call 888.229.7900.