

1. SITE CONDITION DOCUMENTATION: By Alco Doors

(Five different conditions have been identified and documented.
Project site information will be posted in Buzzsaw.)

- Bulkhead condition
- R.O.W. (rough opening width) measurement for closet opening
- Quantities per project
- Bathroom door swing & "Right" vs. "Left" Room types

2. CONSOLIDATION OF DOOR'S COMPONENTS: By Alco Doors

(Hollow metal frame, hardware to include (6) hinges, (2) pulls & (1) top catch)

3. DISTRIBUTION: By Alco Doors

- One week prior to (MI PM defined) delivery date Alco Doors will contact project's contractor
- 48 hours prior to delivery Alco Doors will contact the project's superintendent to coordinate delivery
- Delivery truck will arrive on site and will stay for 24 hours to unload
 - A. 140 doors and frames per each delivery capacity
 - B. Contractor will need approx. 16' on site for doors storage

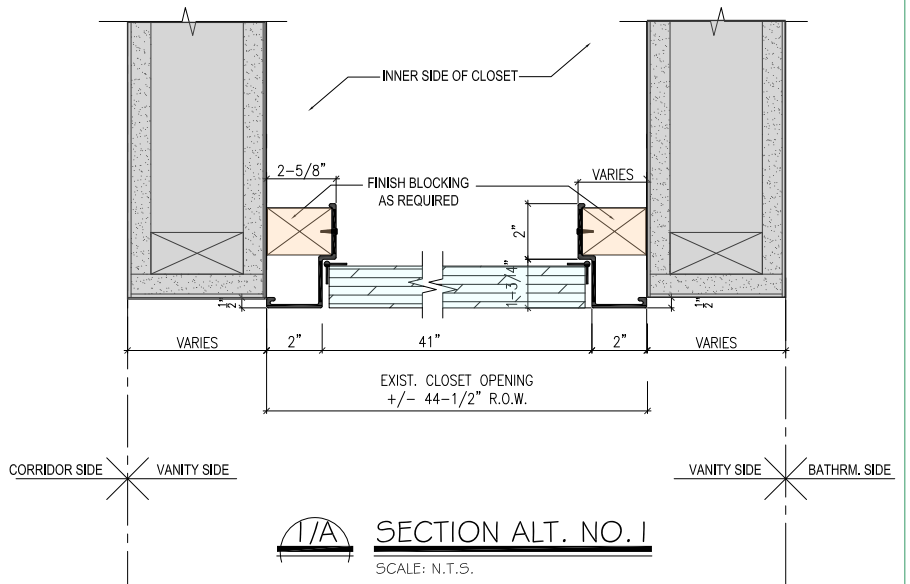
4. DOOR INSTALLATION: By Contractor

- Existing wall vinyl will not be altered
- Blocking will be required by contractor for door frame attachment
- Installation of frame and door & hardware
- Application of frame and door paint finish (No.313) and bulkhead paint finish (No.351-P)



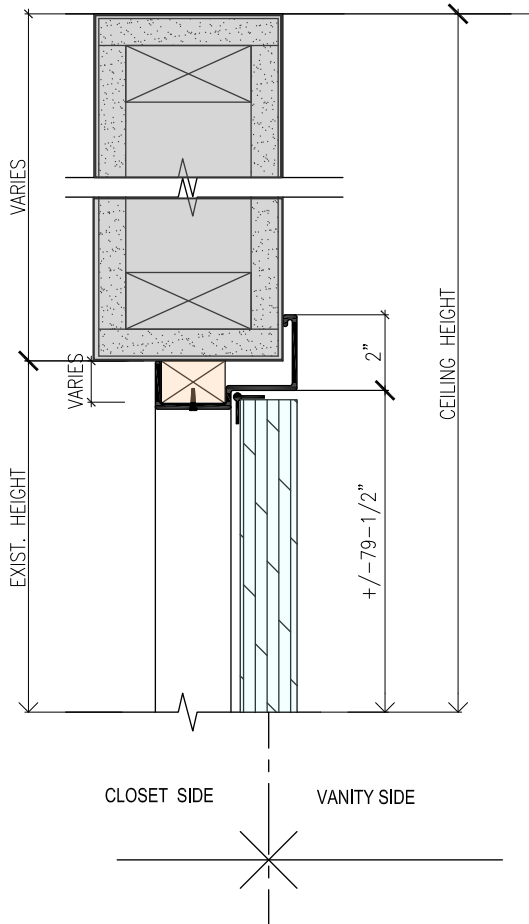
CONDITION NO. 1

SCALE: N.T.S.



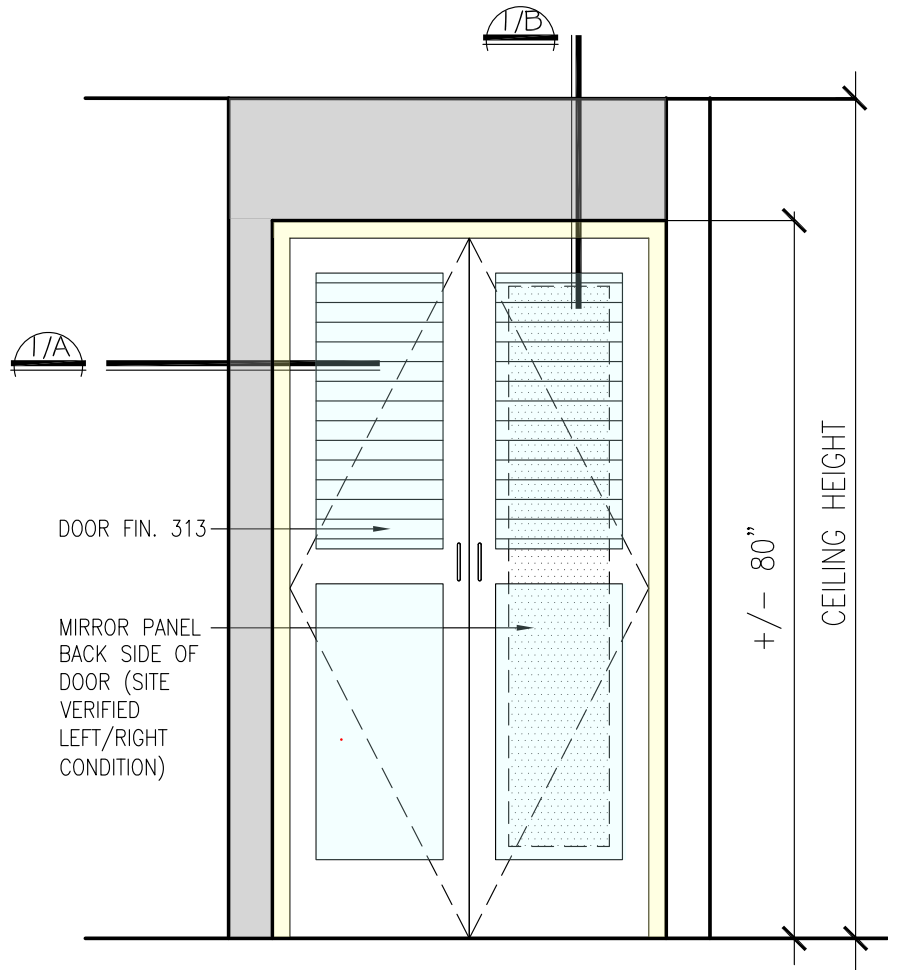
SECTION ALT. NO. 1

SCALE: N.T.S.



HEAD DETAIL NO. 1

SCALE: N.T.S.

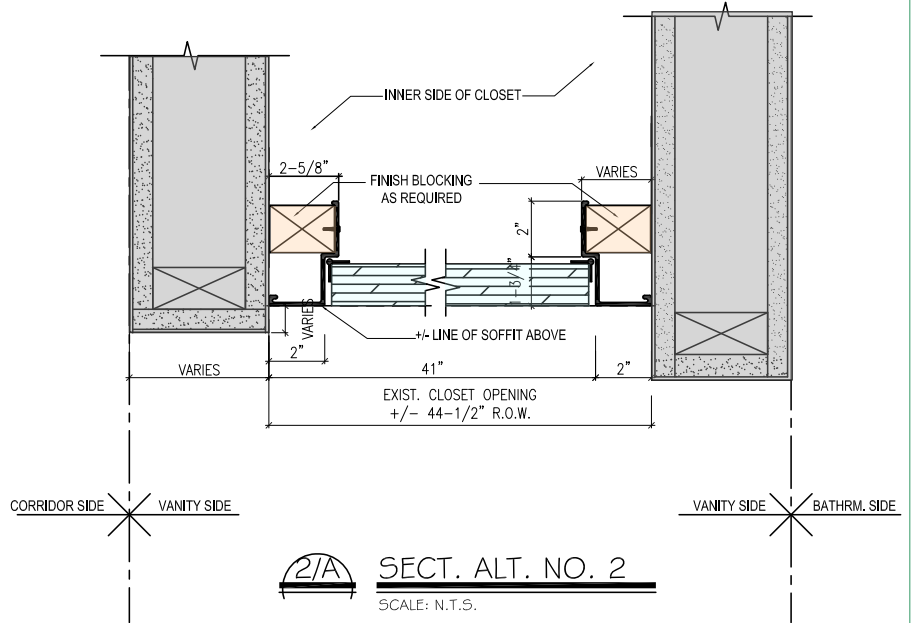


DOOR ELEV. / NO. 1

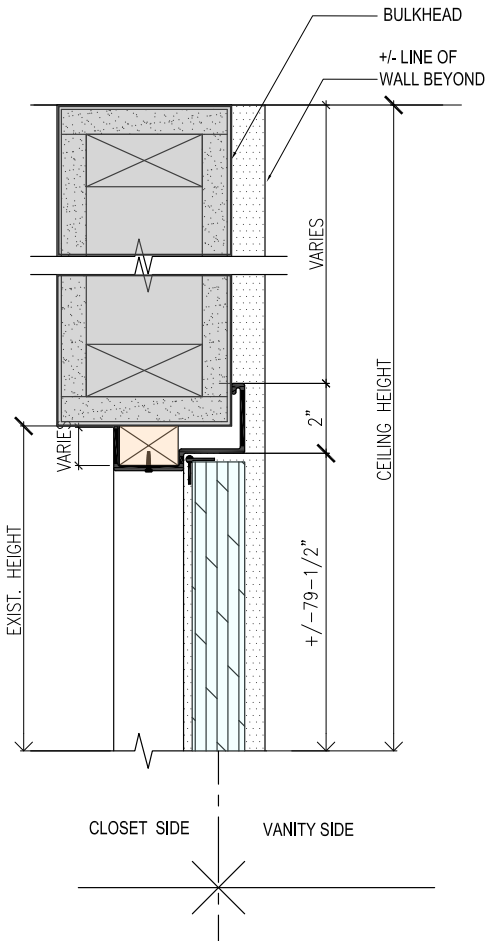
SCALE: N.T.S.



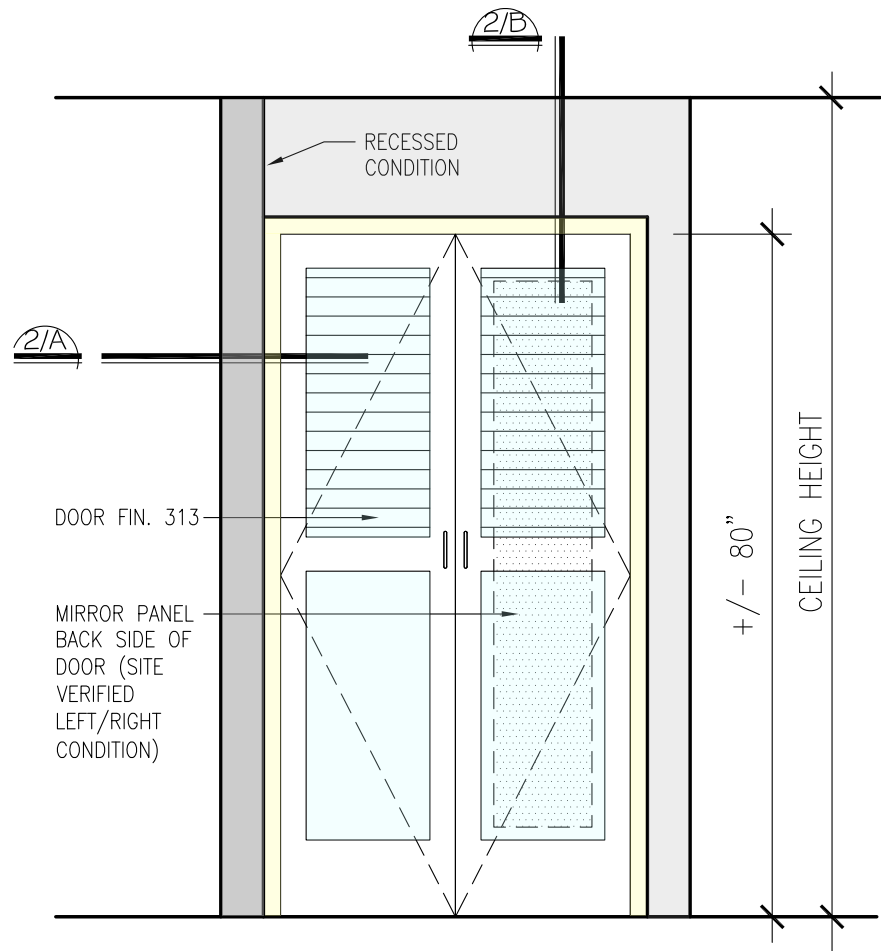
2 CONDITION NO.2
SCALE: N.T.S.



2/A SECT. ALT. NO. 2
SCALE: N.T.S.



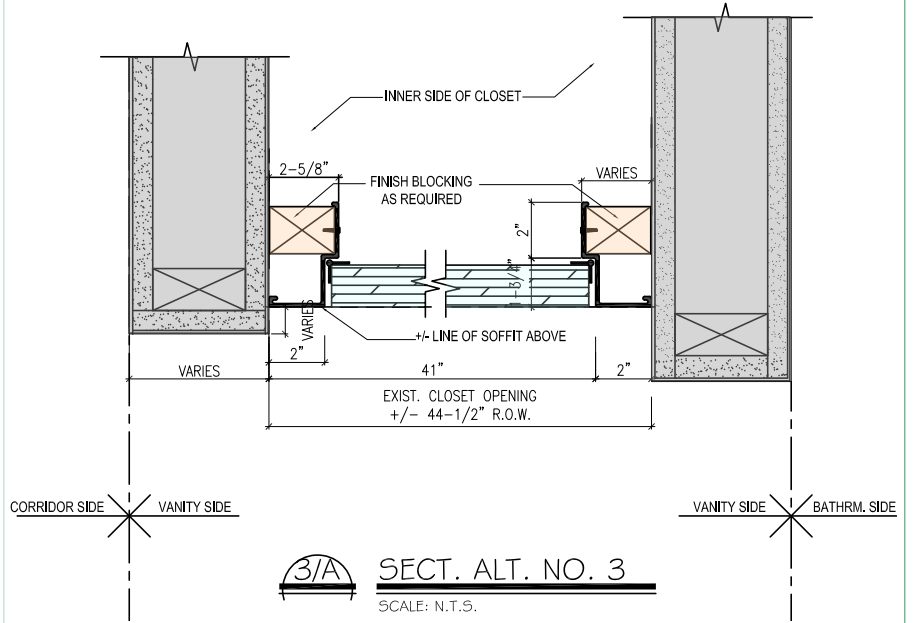
2/B HEAD DETAIL NO.2
SCALE: N.T.S.



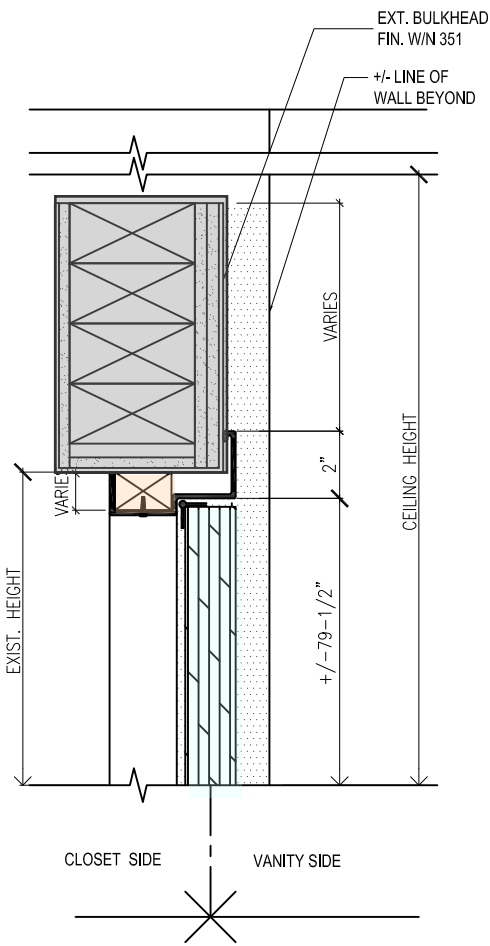
2 DOOR ELEV. / NO.2
SCALE: N.T.S.



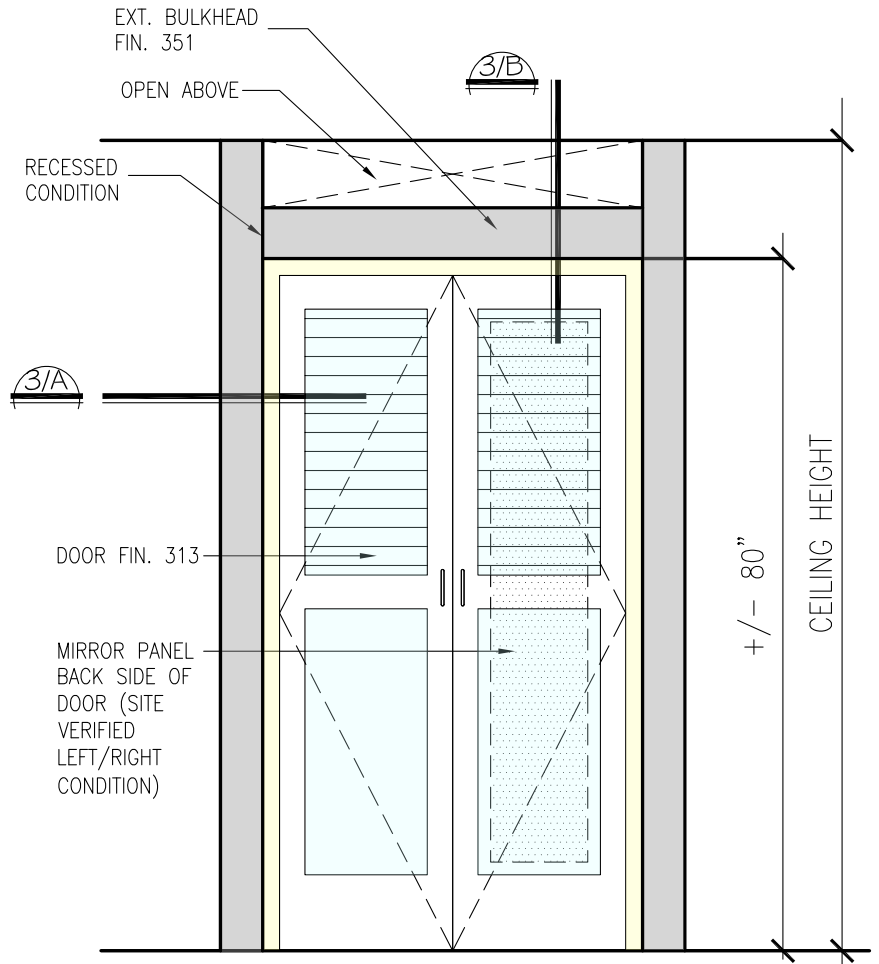
3 CONDITION NO. 3
SCALE: N.T.S.



3/A SECT. ALT. NO. 3
SCALE: N.T.S.



3/B HEAD DETAIL NO. 3
SCALE: N.T.S.

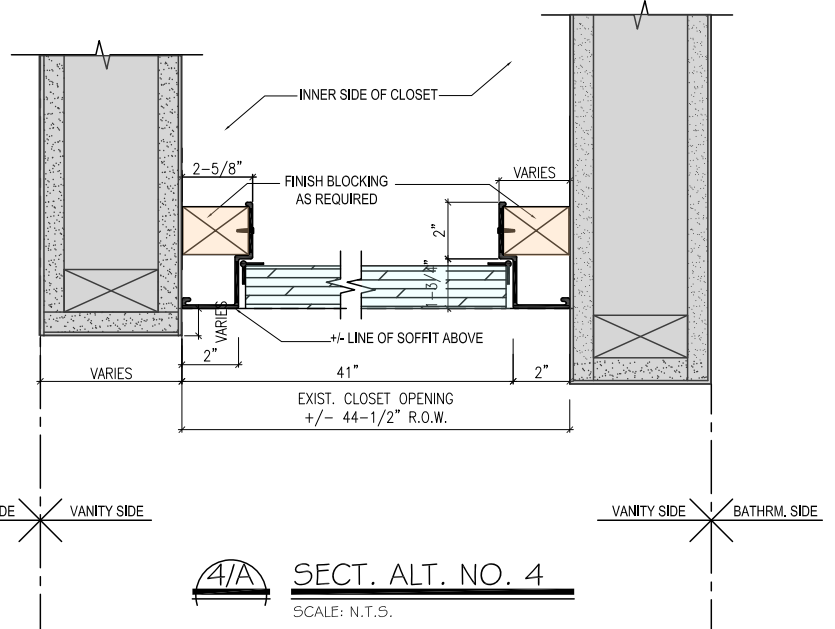


3 DOOR ELEV. / NO. 3
SCALE: N.T.S.



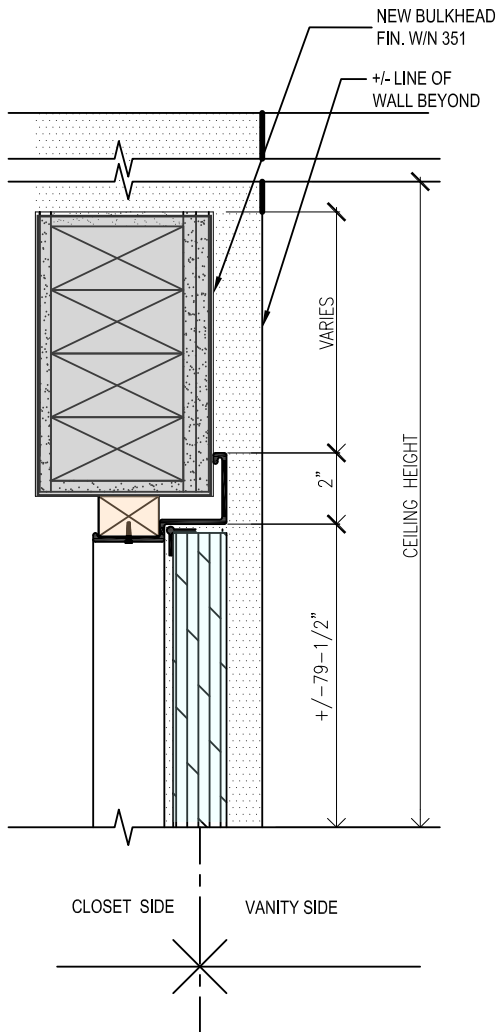
CONDITION NO. 4

SCALE: N.T.S.



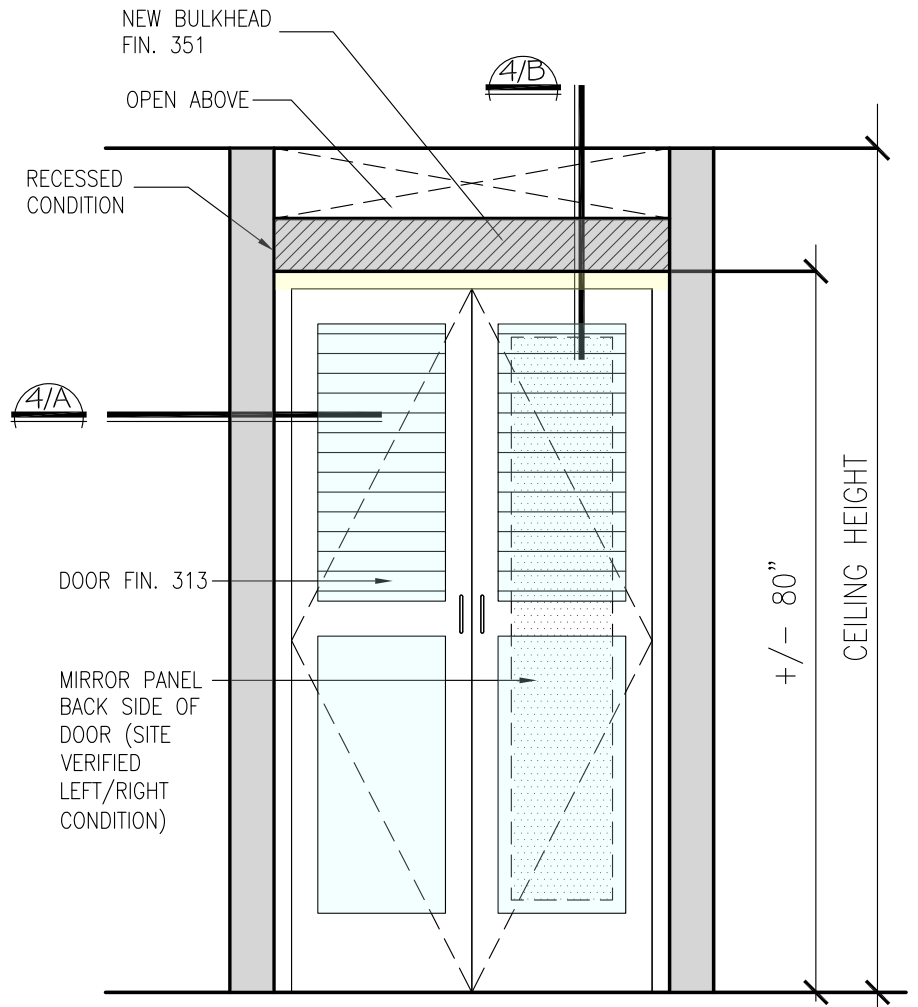
SECT. ALT. NO. 4

SCALE: N.T.S.



HEAD DETAIL NO. 4

SCALE: N.T.S.



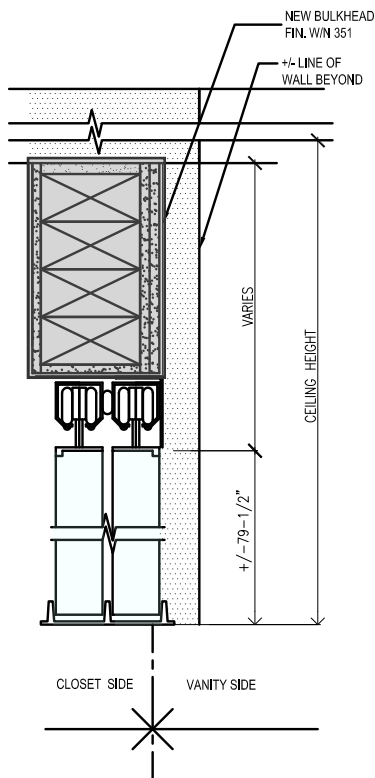
DOOR ELEV. / NO. 4

SCALE: N.T.S.



CONDITION NO. 5

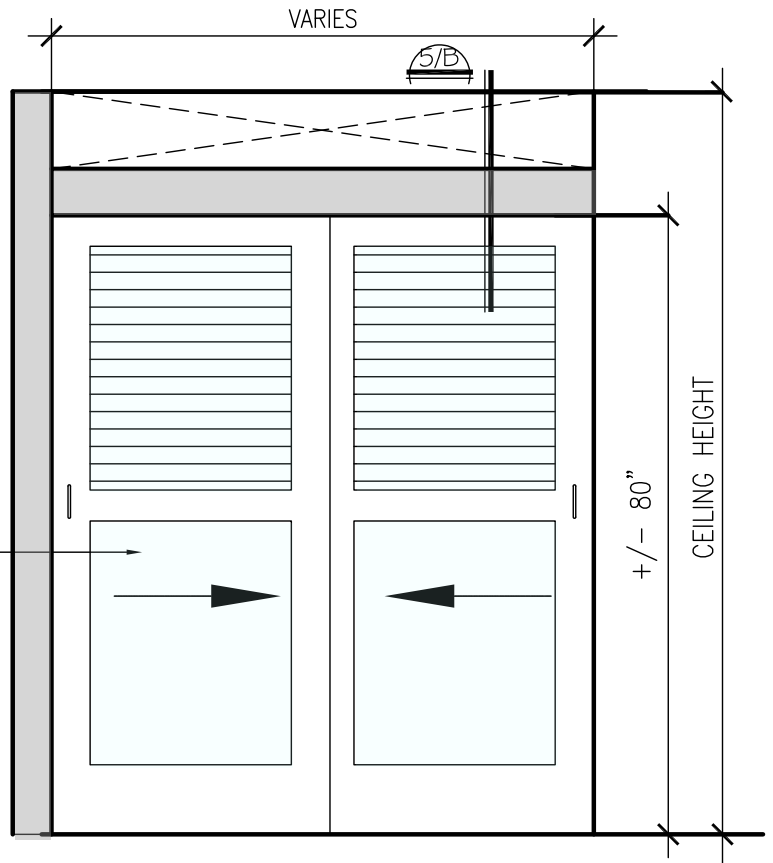
SCALE: N.T.S.



HEAD DETAIL NO. 5

SCALE: 3" = 1'-0"

(PER SITE (CONDITION MAY FIND SIMILAR BULKHEAD TO CONDITION NO. 1)



DOOR ELEV. / NO. 5

SCALE: N.T.S.

NO FULL MIRROR AT SLIDING DOOR CONDITION;
FULL LENGTH MIRROR LOCATION PER CD'S



furniture hardware and stone products s

Decorative Hardware

Panel Stay Plates

Hospitality Stone

Functional H

Cast Brass Pulls

Bar Pulls Birdcage Hardware

Bronze Wooden Hardware

Glass Knobs and Pulls Knobs

Aluminum

PULLS



Image is not to full scale. Actual pull is larger than this photograph.

JGE #2375-160 Drawer Pull, Matte Chrome

Finish: Matte Chrome

Overall Length: 7-1/8 in. (181mm)

Projection: 1-5/8 in. (41mm)

Material: Zinc Alloy

Mounting Holes: 6-5/16 in. (160mm)

Style: Transitional

>> 1 2 3 4 5 6 7 8 9 10 11 12 13 14 15 16 17 18 19 20 2

[Decorative Hardware](#) | [Panel Stay Plates](#) | [Hospitality Stone](#) | [Functional Hardware](#)

8901 Kelso Drive, Baltimore, MD 21221 | tel. 410-918-1200 | fax. 410-918-0964
Copyright ©2012 J.G.Edelen Company Inc. All Rights Reserved.



Ball Catch

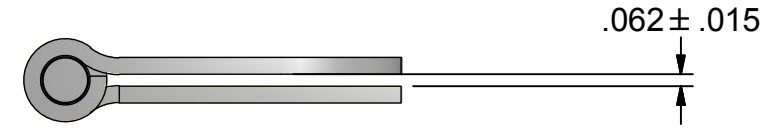
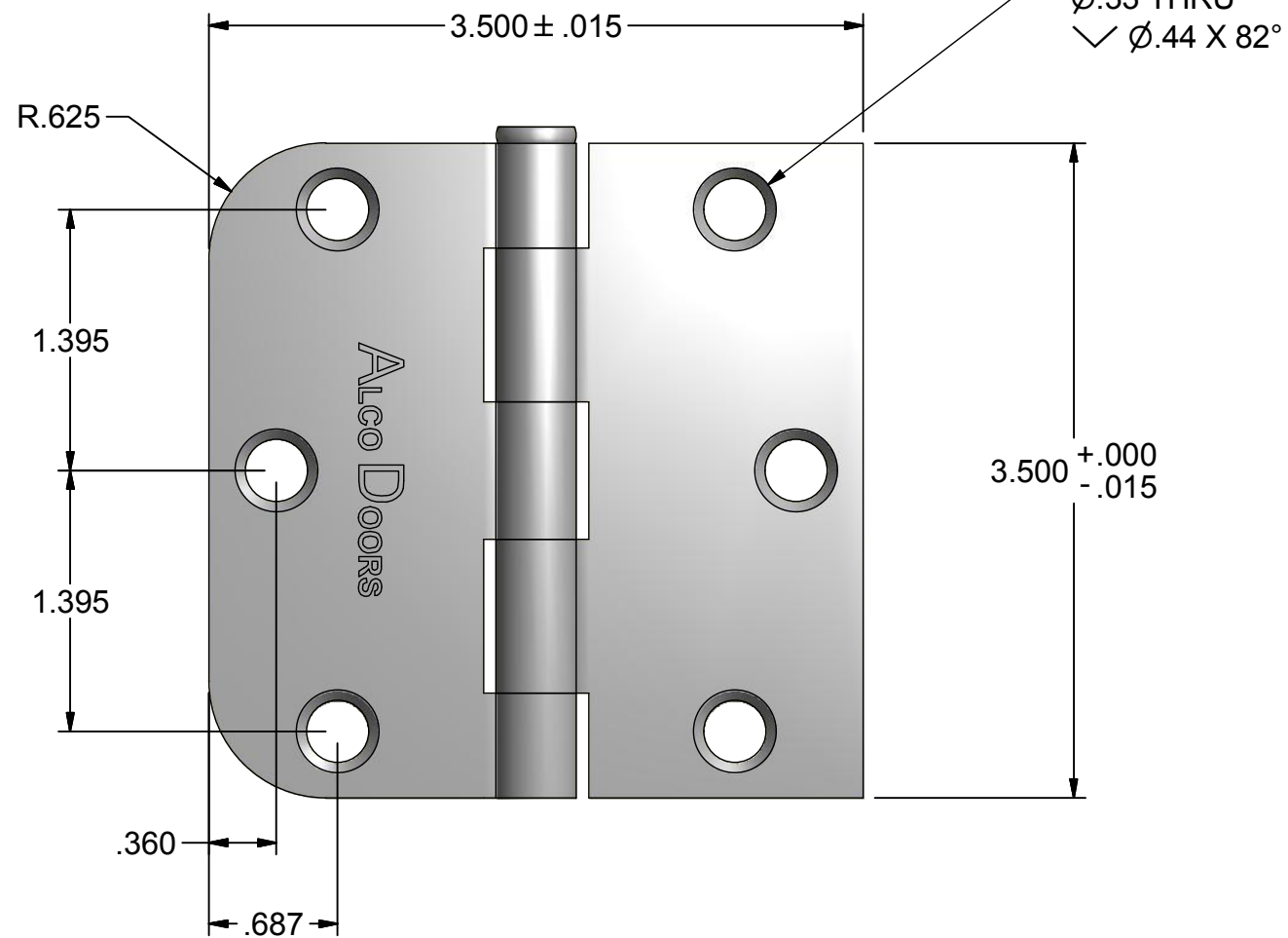
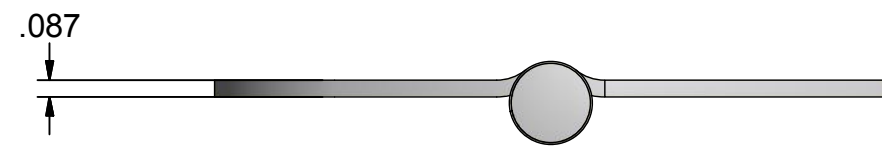
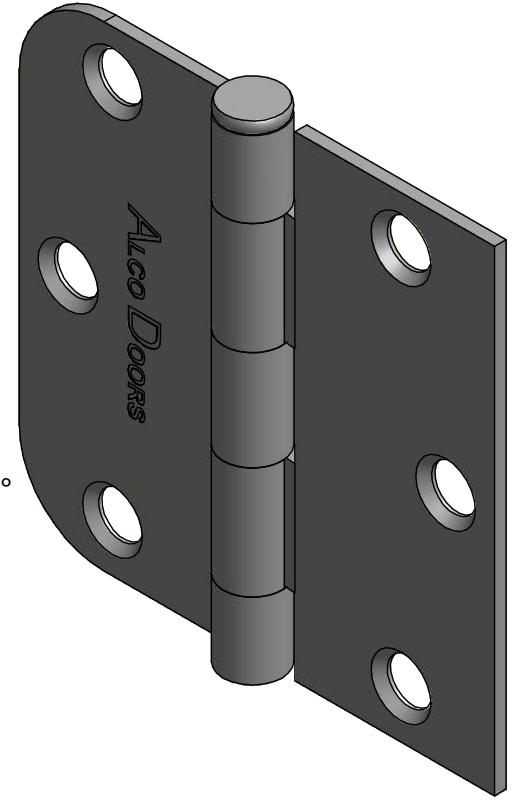
- Three-way catch with plate type strike
- Ideal for smaller cabinet doors or panes
- The strike slides between two stainless steel balls that are under spring tension; as the strike engages, the door is held tightly shut
- Strike can enter body from either side or front
- Spring tension is easily adjusted to suit field conditions
- Body can be surface applied or mortised
- Brass construction
- Meets ANSI/BHMA 156.9, B13302

Dimensions: -Body is 1/2" wide x 2-3/16" high x 1/2" deep
 -Strike is 3/8" wide x 1-3/8" high x 5/8" deep

Finish: US26D



Code	Unit Pack	Qty / Unit	Units / Inner	Units / Master	Component	Material	Finish
Proj 12-3	Bulk	2	50	50	Hinge Assembly	Steel	Satin Chrome US26D
		6			#12-24 x 1/2" Phillips Flat Undercut Head Machine Screw		
		6			#12-11 x " Phillips Flat Head Sheet Metal Screw, T17 Flycut		



Drawing, Submitted for your Approval of Revision			
Approved as Submitted:		Submitted On:	7/20/2012
Approved As Noted			
Not Approved			
Date:	7/20/2012	Signed:	
Comments:			

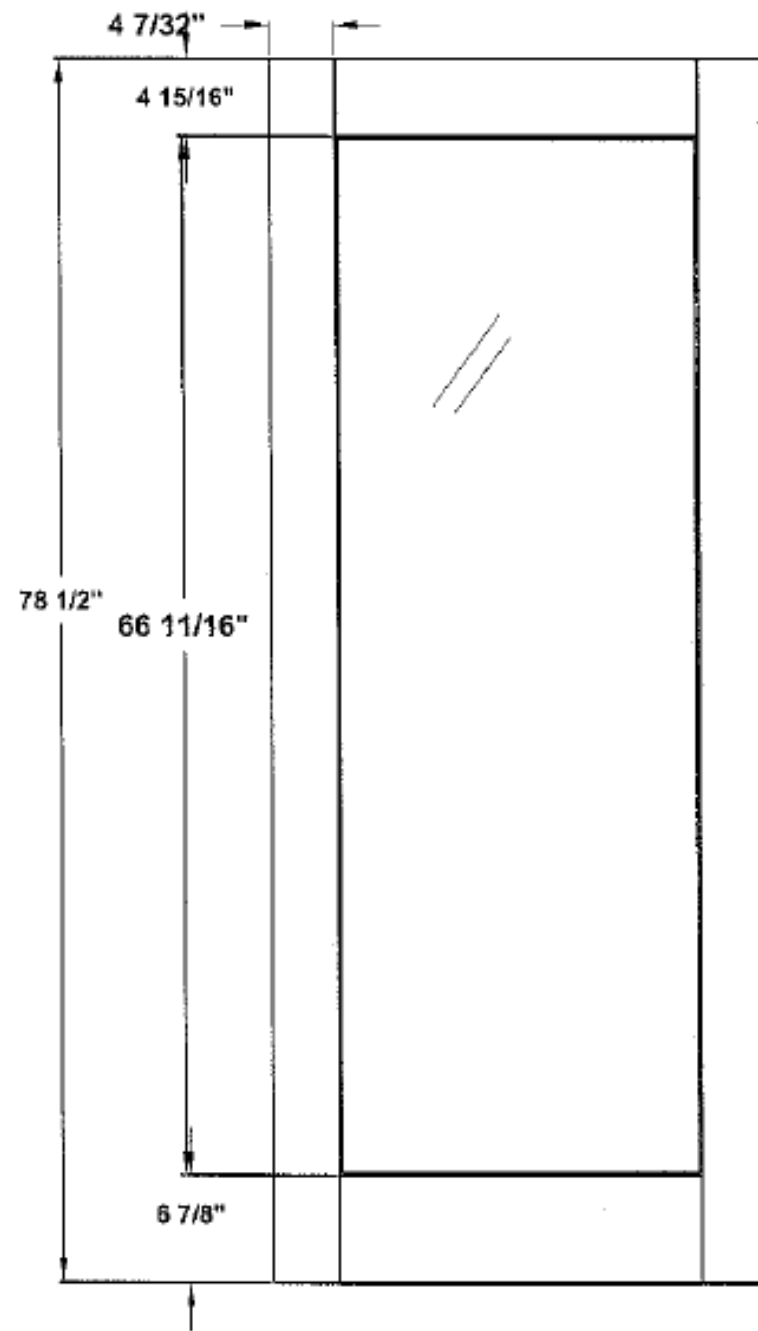
This drawing and all associated component files are the sole property of Ultra Hardware and contains confidential, privileged and patented information. Any reproduction of this drawing is not permitted without written approval from Ultra Hardware management.

Unless otherwise specified:
 1) All Dimensions given in inches
 2) Tolerances:
 Angular: ± 0.5°
 Decimal: X.X = ± 0.1
 X.XX = ± 0.015
 X.XXX = ± 0.005

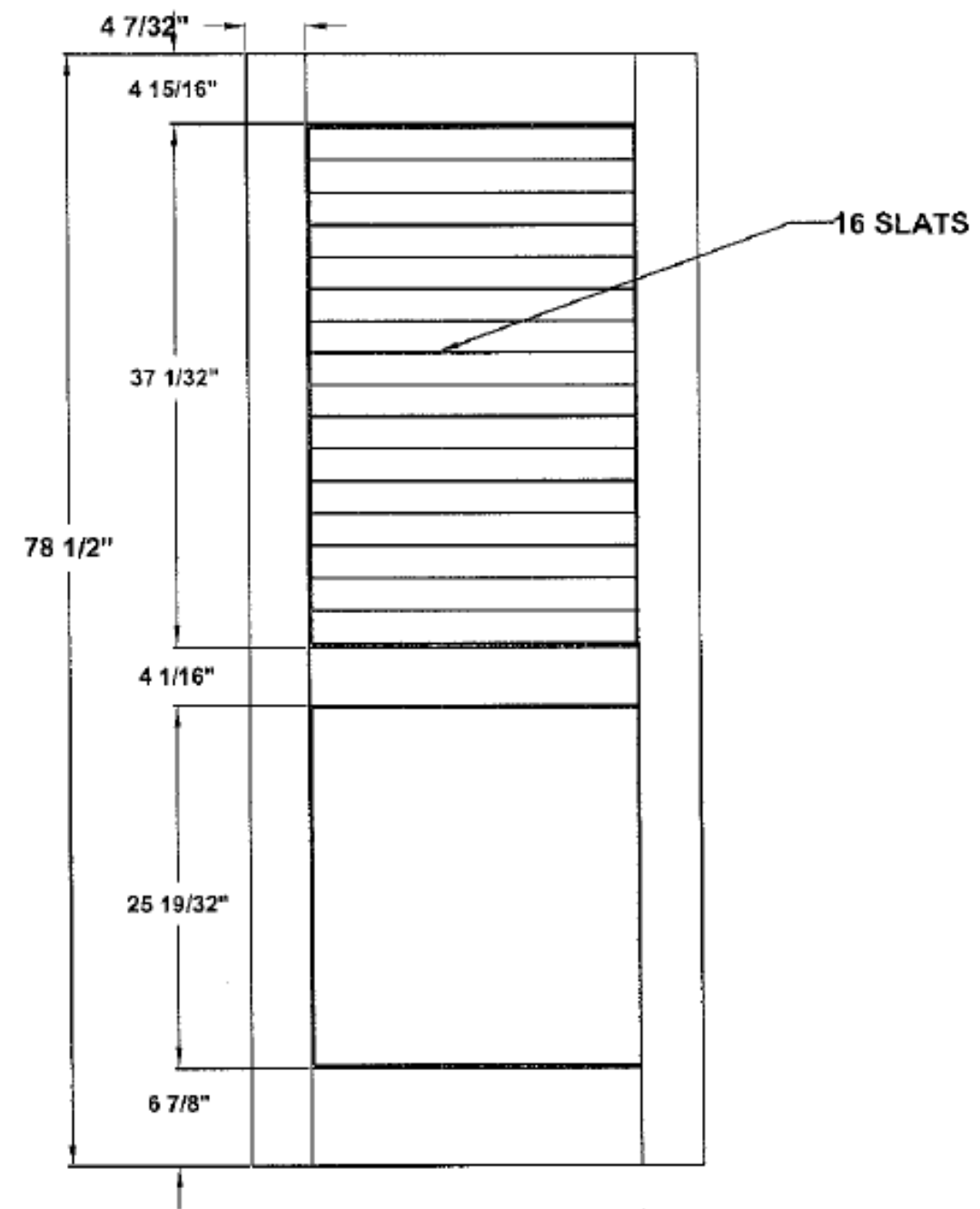
DRAWN	KAS	7/18/12
CHECKED		
QA		
MFG		

TITLE		3.5" RP Rad/SQ Template Pattern Hinge		Copyright 2006 Ultra Hardware Products, LLC All Rights Reserved	
SIZE	SCALE	DWG NO	SHEET	REV	
B	AS Noted	Proj 12-3	1 OF 1		
C:\EngVault Workspace\Designs\HBC\Project 12-3 logo 3.5 Rad Sq hinge\3.5x3.5 template rem pin flat one button tip .625 rad sq logo iam					

BACK



FRONT



Specification sheet

Title Half Plantation Louver door with mirror

Height **78-1/2**

Creation date
07-06-2012

Prep. by: MJL

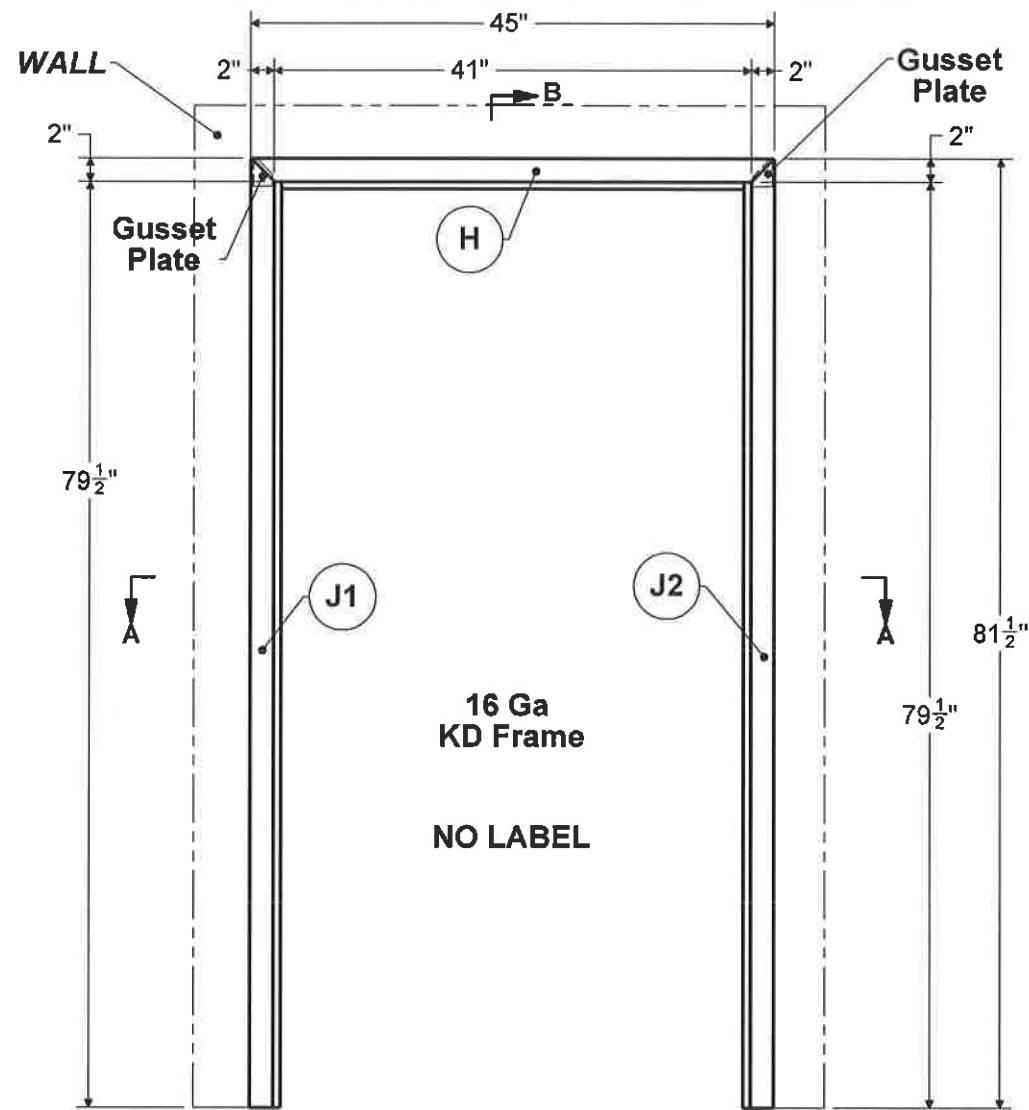
Revision date Rev.

Scale nts

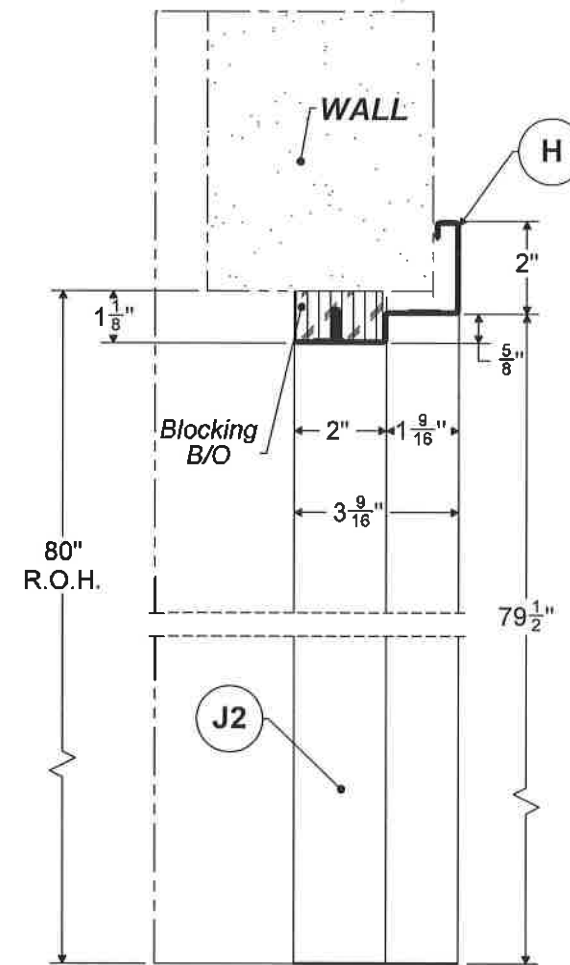
ALCO DOORS

A DIVISION OF
AMERICAN LUMBER CORPORATION

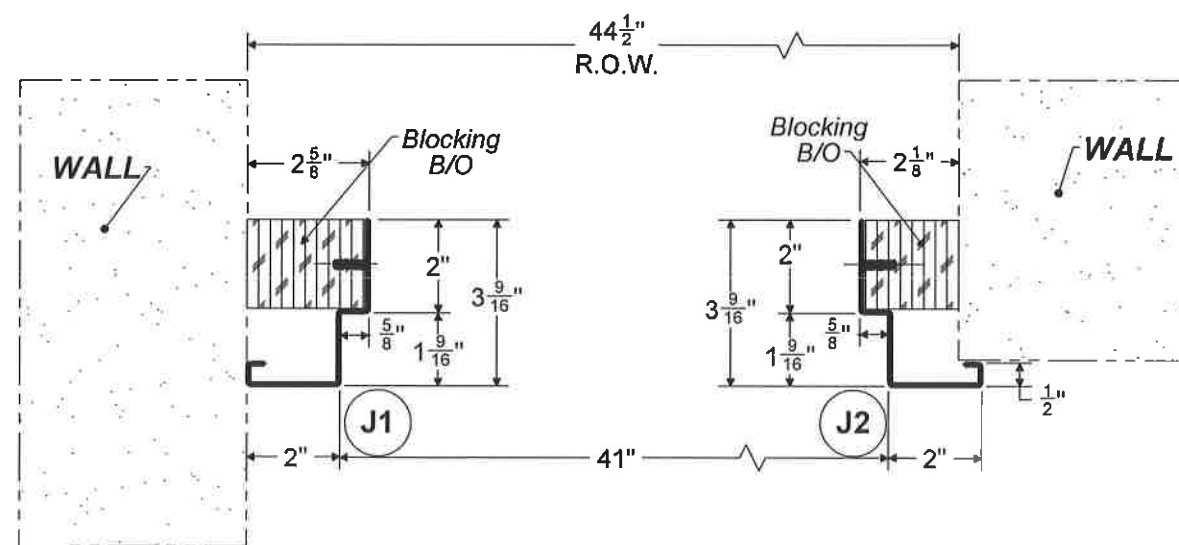
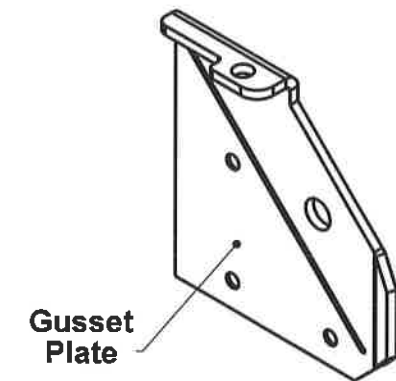
M4G.138



ELEVATION



SECTION B-B



SECTION A-A

NOTE:

- Pair Swing Typical;
- Hardware Prep (3) 3 1/2x3 1/2 Butt Hinges Square Corner;
- Attach Jamb and Head with #8 Flat Head Screws, B/O.